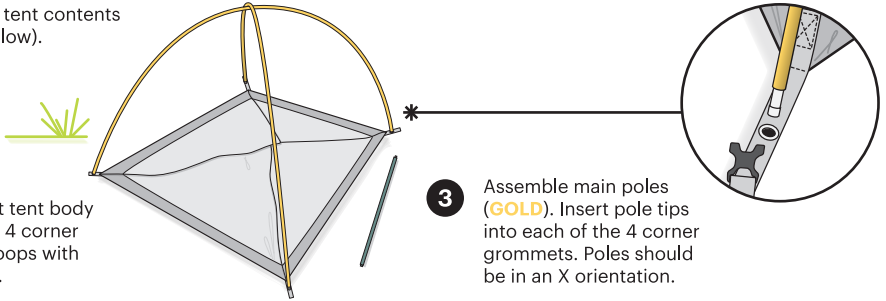
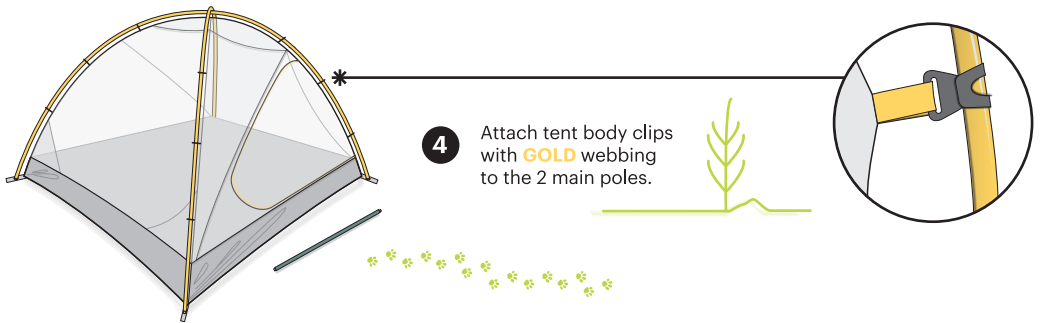


- 1** Identify all tent contents (see list below).

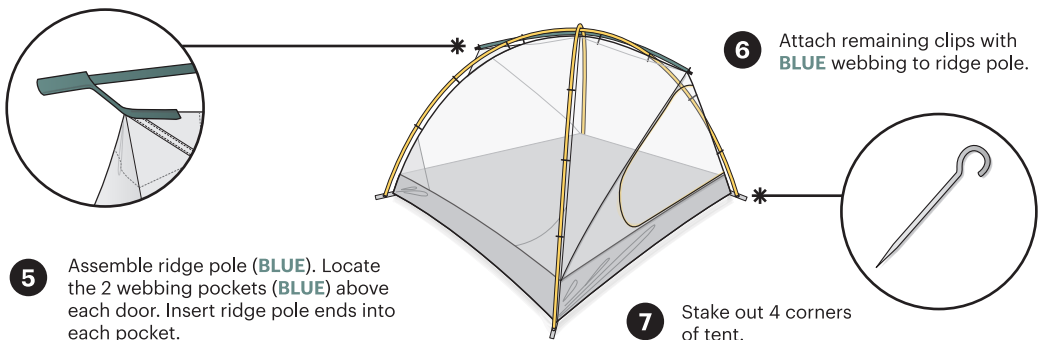


- 2** Spread out tent body and locate 4 corner webbing loops with grommets.

- 3** Assemble main poles (**GOLD**). Insert pole tips into each of the 4 corner grommets. Poles should be in an X orientation.

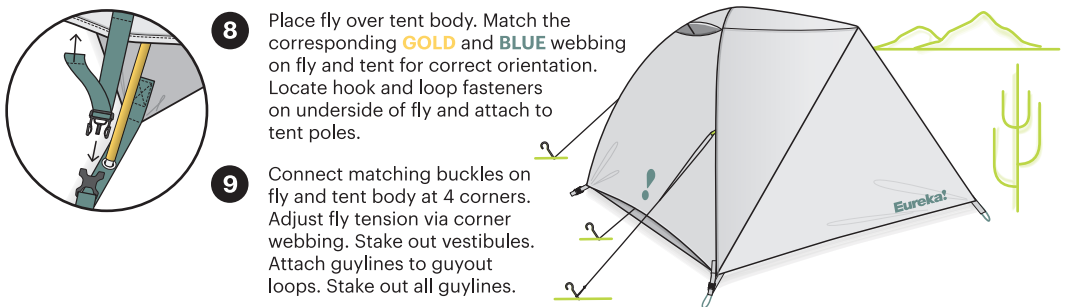


- 4** Attach tent body clips with **GOLD** webbing to the 2 main poles.



- 5** Assemble ridge pole (**BLUE**). Locate the 2 webbing pockets (**BLUE**) above each door. Insert ridge pole ends into each pocket.

- 6** Attach remaining clips with **BLUE** webbing to ridge pole.



- 8** Place fly over tent body. Match the corresponding **GOLD** and **BLUE** webbing on fly and tent for correct orientation. Locate hook and loop fasteners on underside of fly and attach to tent poles.

- 9** Connect matching buckles on fly and tent body at 4 corners. Adjust fly tension via corner webbing. Stake out vestibules. Attach guylines to guyout loops. Stake out all guylines.

### TENT CONTENTS

Tent body + Tent fly  
Main frame poles (2-gold)  
Ridge pole (1-blue)  
Stakes (8)  
Guylines (6)  
Gear loft

### QUESTIONS?

Johnson Outdoors Gear, Inc.  
USA: 1-800-572-8822

[www.eurekacamping.com](http://www.eurekacamping.com)

Johnson Outdoors Canada

Canada: 1-800-263-6390

[www.eurekatentscanada.com](http://www.eurekatentscanada.com)

### TENT TIPS

- Always stake down tent, including all guyout points.
- Increase interior airflow by opening the fly vent and using the High/Low Air Exchange fly feature.

### TENT CARE

- Make sure the tent is completely dry, then store loosely rolled in a dry cool place.
- Clean your tent by setting it up and wiping it down with a mild soap and luke warm water. Never use laundry detergent, washing machines or dryers.

### WARRANTY

- Your Eureka! tent is covered by a limited lifetime warranty. For more details please visit the website or contact customer service.