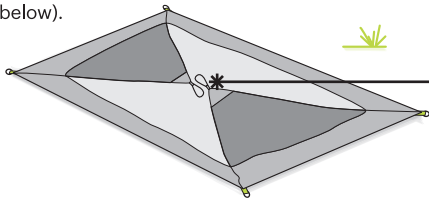
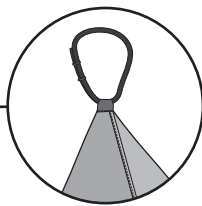


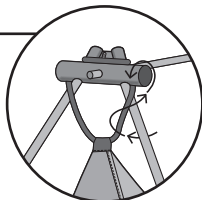
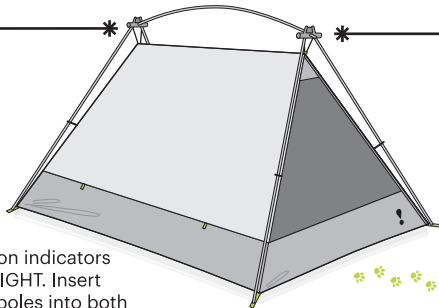
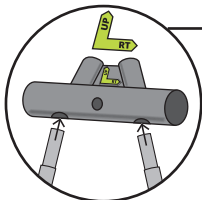
- 1** Identify all tent components (see list below).



- 2** Spread out tent body and locate 4 corners and peak shockcord.



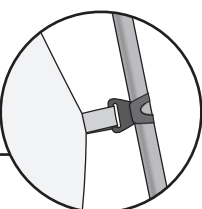
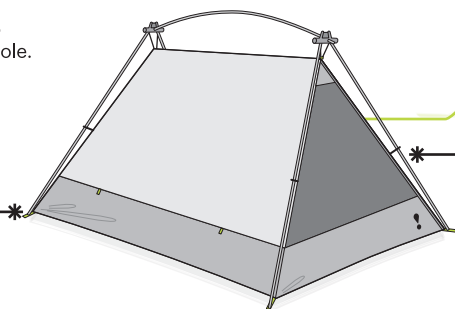
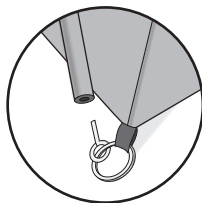
- 3** Assemble 4 leg poles and ridge pole.



- 4** Verify hub orientation indicators are facing UP and RIGHT. Insert tapered end of leg poles into both peak hubs.

- 5** Insert ridge pole into both peak hubs. Hook peak shockcord around peak hubs

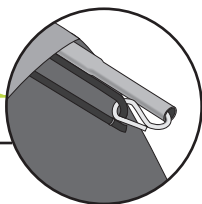
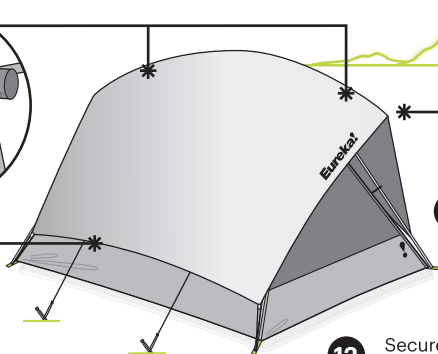
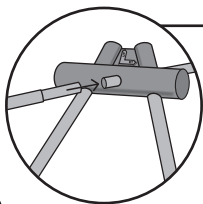
- 6** Insert metal pins into bottom of each leg pole.



- 7** Attach all clips to poles and stake down 4 corners.

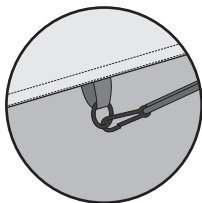
- 8** Slide eave pole extension onto end of ridge poles at peak hubs.

- 9** Place fly over tent body.



- 10** Insert 2 hooks on underside of fly into end of eave pole extensions.

- 11** Attach 4 hooks on underside of fly to tent body rings.



- 12** Secure fly to tent by attaching fly hooks to metal rings at tent corners. Stake down 4 side guylines.

TENT CONTENTS

Tent body
Tent fly
Leg poles (4) medium
Ridge pole (1) long
Eave pole extensions (2) short
Steel stakes (8)

QUESTIONS?

Johnson Outdoors Gear, Inc.
USA: 1-800-572-8822
www.eurekacamping.com
Johnson Outdoors Canada
Canada: 1-800-263-6390
www.eurekatentscanada.com

TENT TIPS

- Always stake down tent, including all guyout points.
- Increase interior airflow by opening the windows in favorable weather.

TENT CARE

- Make sure the tent is completely dry, then store loosely rolled in a dry cool place.
- Clean your tent by setting it up and wiping it down with a mild soap and luke warm water. Never use laundry detergent, washing machines or dryers.

WARRANTY

- Your Eureka! tent is covered by a limited lifetime warranty. For more details please visit the website or contact customer service.