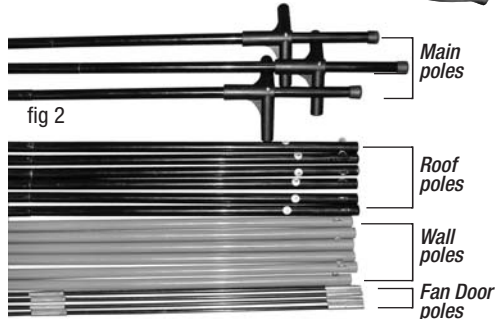


Component List:

1 Tent Body with Guy Ropes, 3 Main Poles, 6 Roof Poles, 6 Wall Poles, 4 Fan Door Poles, 1 Carry Bag, 1 Stake Bag/Stakes, 1 Pole Bag

1. **Remove from the carry bag** and separate all the components. Unroll and unfold the fabric top side up, on a clean, dry space and open the doors. If windy, stake down the windward corner. See fig 1.

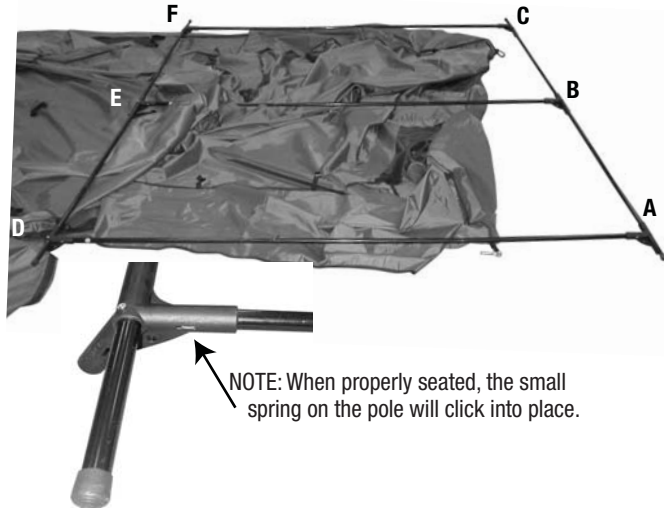
fig 1



2. **Assemble the shock corded poles** and divide according to size and shape. Take care; make sure that each pole section is fully seated into the next. Do not allow the sections to snap together as this can damage the ends. See fig 2.

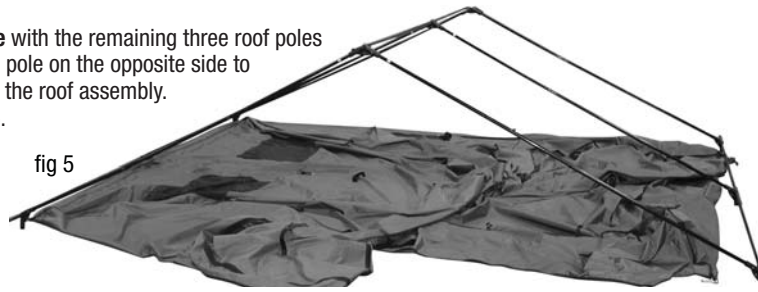
3. **Build the roof frame.** Inset three black roof poles into the nylon elbows on one of the main poles at **A, B** and **C**. This forms the outer ridge. Move to the opposite side and again fit the same three poles into the nylon elbows of a second main pole at **D, E** and **F**. This forms one half of the roof. See fig 3 and 4.

fig 3



3. **Continue** with the remaining three roof poles and main pole on the opposite side to complete the roof assembly. See fig 5.

fig 5



4. **Attach the fabric to the roof frame.** Hook the shockcorded J-hooks to the brass rings and to the holes in the elbows.

fig 6



fig 7

Snap the web clips to the poles. It is best to start in the center and work your way out. You must do this now because you won't be able to reach the clips and hooks once the walls are raised. See fig 6, 7 and 8.

NOTE: If you intend to install the optional fly/awning, do now. It is far easier to attach the fly/awning while the roof is still on the ground.

Installation of the Optional Fly/Awning:

Step I: Lay the Fly out on the ground in front of the tent, with the awning to the far front.
Step II: With 2 people, grab the rear corners of the Fly & walk it over the top of the frame from front to back.

Step III: There are 6 frame extensions, 1 each at the ends of the center ridge and eave poles front and rear. See fig 9 positions A, B, D, E, F- position C not visible. At the rear of the Fly, slide the 3 extensions in to the pockets sewn on the Fly (positions A, B, C). Repeat this step along the front of the tent at positions D, E & F. [Continue with tent set-up at number 5 'Raise the tent'.]

Step IV: Once the tent is completely set up and staked out, insert the awning poles and stake them out. See fig 11.

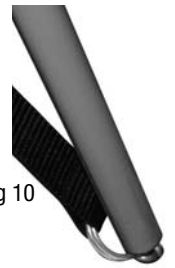
fig 9



fig 8

5. **Raise the tent.** Start on one side and insert gray wall poles into the elbows. Locate the web ring/pins attached to the floor of the tent. Insert a pin into the base of each pole. See fig 9 & 10. Repeat on the other side until the tent is at full height and freestanding.

fig 10



6. **Stake the tent down.** Stake out the corner rings first. As you work your way around the tent apply tension to square the tent and pull out any floor wrinkles. Align the center poles with the corners and stake out web side rings. See fig 12. [If you have the Fly/Awning option, now complete 'Step IV'.]

Important: Make sure the bottom front of the tent is in a straight line, from corner to corner.

fig 12



7. **Assemble the fan door frame.** Slide the fiberglass fan door poles, rubber end up, into the bottom of the door sleeves. Insert pins from the web loop into the bottom of these poles. See fig 12 & 13. Tuck the door into its perimeter envelope.

fig 13



There is a web loop on each side of the fan door, stake these down.

8. **Attach the splash guard.** To provide an extra layer of protection, there is a flap that runs across the bottom near the inside of the door. Attach the J-hooks from this flap to loops at the front corners. See fig 14.

fig 14

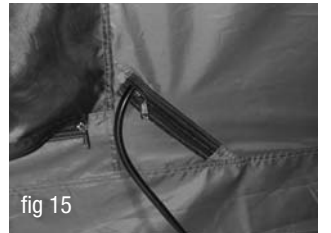


YOUR TENT IS READY !

Guy Out: This tent has very large straight walls that act differently in high winds. If there are high winds, carefully follow the guy out instructions on the back side of this sheet.

Power Port: Open zipper and run extension cord through opening. Close zipper so that it rests next to the extension cord. Make sure the zipper cover is not twisted or tucked. The cover must lay flat against the outside of the tent to keep out rain. See fig 15.

fig 15



Take Down: Remove the poles from the fan door. Pull up all stakes. Pull wall poles off of the pins and remove poles. Remove roof poles. Collapse all poles and stow. Fold the tent onto itself then roll up towards the open door and stow.

Options: Floor Saver and Fly/Awning.

! WARNING

ELECTROCUTION / ELECTRIC SHOCK HAZARD



The use of the Power Port to run an extension cord into the tent could result in electrocution or electric shock, or fire or explosion hazards. For these reasons, when using the Power Port:

DO NOT allow extension cord or any electrical device to come into contact with water or condensation inside the tent.

DO NOT use extension cord if it is worn or damaged. DO use only extension cords that are marked for OUTDOOR USE.

DO connect extension cord only to a 120Volt GFCI protected outlet with proper ground. If GFCI outlet is not available, use an extension cord with GFCI protection built in.

DO make sure the part of the extension cord that is outside the tent is lower than the Power Port so that rain will not follow the cord into the tent.

DO follow all warnings, instructions, and safety precautions from the manufacturer of the extension cord.

DO store extension cord separately from tent.



DO KEEP ALL FLAME AND HEAT SOURCES AWAY FROM THIS TENT FABRIC. This tent meets the flammability requirements of CPAI-84. The fabric may burn if left in continuous contact with any flame source. The application of any foreign substance to the tent fabric may render the flame-resistant properties ineffective.

DO NOT operate any device which burns fuel inside your tent. Combustion consumes oxygen and can produce dangerous levels of carbon monoxide, which could lead to serious injury or death.

Your failure to follow these warnings could cause death, serious injury or permanent disability to you or others.

SEAM SEALING:

We recommend use of a sealer such as Kenyon Seam Sealer 3 or McNett Outdoor SeamGrip®.

- Work in a fully ventilated area.
- Set the tent up or lay the tent out flat. Taut seams allow for even application and penetration of the sealer.
- Decide which seams need to be sealed. For example, seams that will be exposed to rain, runoff, or ground level water are a must for sealing, while seams on uncoated nylon or mesh panels don't need treatment. There is no need to seal the seams in the roof or the factory taped seams. We recommend sealing both floor and fly seams and reinforcements.
- Apply sealant to the inside and outside of all exposed seams. Several thin layers will work better than one thick layer. Read and follow manufacture's instructions.

STAKING:

All tents need to be staked down to keep them from blowing away. Securing the tent by placing heavy objects inside is just not adequate.

- Pull the base of the tent taut between each web stake out loop or ring & pin.

Make sure that all corners are square. It is important that you don't stake the tent out too tightly. You will know it's too tight, if the door zippers can not be easily operated. Drive stakes through the web loops, or with ring & pin, drive the stake just outside the ring so that the "J" hook catches it. Tie a piece of cord or web into a loop through the ring to be used as a large stake loop if needed.

- Do not attempt to remove the stakes by pulling on the tent becket loop, as this could cause the fabric to tear. The best way is to pry on the stake itself.

Staking in special conditions:

- Sand. Use long, broad stakes with plenty of surface area in loose soil.
- Hard, Rocky, or Frozen Soil. Steel stakes work best. Store steel stakes separately. Their sharp edges can cut fabric and leave rust stains, which might damage your tent.
- Snow. Use "dead man" anchors. Tie tent to buried objects (branches, tent bags, or stuff sacks filled with snow; or tie tents to snow shoes, skis, or ski poles, which are stuck in the snow).

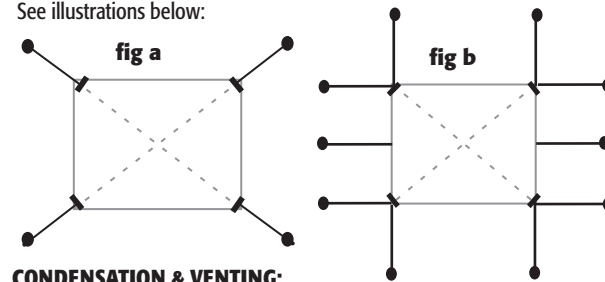
GUY LINES:

Do not depend upon staking alone to keep your tent secure during high winds. It's important to put in the extra time guying out your tent. Correctly done, it can save your tent during exceptional weather.

The Pine Lodge has four triangular wind pull-outs positioned on the tent body at the corner eave. There are four (4) 81" guy lines packed in the stake bag. Attach the guy lines to the pull-out loops and stake them 6' from the edge of the tent. The optimal angle from the ground to the guyline is 45°. See fig a.

- In high winds add a second guy line to the pull-out and stake each guy line at 90° angles. Also, add a guy line from each mid-pole and stake it 6' from the tent at 45°. See fig b.

See illustrations below:



CONDENSATION & VENTING:

Through perspiration and breathing, an adult gives off about a pint of water overnight. If it cannot escape, the water vapor condenses to liquid. Most often, water found in the tent is a result of this condensation rather than from the tent leaking. Condensation often forms where the sleeping bag touches the side of the tent, under the sleeping pad, or on coated surfaces such as the door flaps. A tent's double wall construction allows the vapor to escape through the roof to the outside, keeping the inside of the tent dry.

Leave the windows partially open at night to provide cross ventilation and further reduce condensation. Cross ventilation becomes more important in very humid or extremely cold conditions when the permeable roof is less effective. The features that enhance ventilation are windows, short-sheeted flies (bottom venting), roof vents, and High/Low venting doors. [Specific to each model.]

Given the importance of proper ventilation, We use High/Low venting in most of our tents. This allows cooler air in through the low vents and warmer, moist air up and out through the high vents. High/Low venting is accomplished within the inner tent via roof vents, doors and windows.

It is important to vent the vestibule. Unvented, it can inhibit airflow into the tent. Our tent vestibules profit from the ability to "short sheet" by means of zippers & toggles and staked vestibule pull outs create a bellowing effect.

Most of our tents are equipped with a High/Low venting door. This design allows increased airflow into the tent from the bottom. Open the low vent/window to admit cool air, allowing the warmer air out through the high roof vents. When rain and wind prevent the low vent from being opened, the high door vent can still be used. Fly overhangs or vestibules protect it.

ULTRAVIOLET LIGHT:

Ultraviolet light damage to tent fabric is caused by excessive exposure to sunlight. While our fabrics are UV resistant, any synthetic fabric is susceptible to UV degradation. UV damage will cause nylon and polyester to become brittle and tear easily. We recommend that you use the rain fly even on clear days. It acts as a sunscreen to the tent. A rain fly is both easier and less expensive to replace if damaged. UV damage can be minimized by erecting tents on shaded sites with low exposure to direct sunlight.

GENERAL POLE CARE:

- Never let tent poles snap together as this can damage the pole end.
- Do not drop tent or pole bags on their ends and do not bounce a tent bag on its end to get the tent out. These actions may cut the shock cord and damage the pole ends.
- The aluminum frame may bend slightly and take a "set" through usage; this normally does not affect the performance of the frame.

GENERAL TENT CARE:

- Sweep the tent floor daily to prevent damage from stones.
- Try not to wear shoes inside your tent.
- Use a ground cloth whenever possible.
- Do not keep food inside a tent. Hungry critters will chew through tent fabric in search of food.

STORAGE:

- Make sure the tent is completely dry, then store loosely rolled, in a dry, cool place. To prevent dust from collecting on the tent, cover it with a cloth. This allows the nylon/polyester fabric to breathe.
- Ideally, the tent poles should be stored in their fully assembled state. This reduces the tension on the shock cord, prolonging its life.
- The tent bag should be used only as a carry sack and not for storage.

COLOR TRANSFER:

- Do to the nature of tent fabrics, color can transfer from darker to lighter fabrics when the two fabrics are in contact over time when wet, damp or exposed to the combination of moisture and high heat. This does not effect the tent's performance. To prevent / minimize color transfer, always make sure your tent is completely dry prior to packing and storage.

CLEANING:

- Clean the tent by setting it up and wiping it down with a mild soap (liquid hand soap) and lukewarm water solution. Rinse thoroughly and dry completely. Never use detergent, washing machines or dryers because they can damage the tent's protective coating and seams. After cleaning, be sure the tent is completely dry, especially the heavier, double-stitched areas such as the seams, before storing or mold / mildew are likely to grow.
- Clean the tent poles with a cloth and lubricate them with silicone spray. This is especially necessary after ocean side camping to remove salt spray so the poles don't corrode or stay gritty.
- Clean the zippers with a quick dip in water and then dry them off. This is especially important if you've been camping in a location with sand/dirt. If you don't clean the zippers, the sliders will wear out and eventually the teeth will become inoperable.

ALTERATIONS OR MODIFICATIONS:

DO NOT misuse, modify or alter this product in any way from its condition at the time of sale. Alteration, modification or any use of this product contrary to the accompanying written instructions shall void the warranty. Moreover, any misuse, alteration or modification of the product shall absolve Johnson Outdoors Gear LLC of any liability for property damages or injuries sustained as a result of such misuse, modification or alteration.

LIMITED WARRANTY:

What Is Covered: Johnson Outdoors Gear LLC warrants to the original purchaser that its Pine Lodge tents are free from defects in material and workmanship, for the life of the product, except as qualified below. The life of the product is determined from the date of purchase until such time as the product is no longer serviceable due to normal wear and tear.

What Is Not Covered: Johnson Outdoors Gear LLC shall not be responsible for the natural breakdown of materials that occurs inevitably with extended use (e.g., Ultra Violet (UV) light damage on tents, exhausted zippers), or defects caused by accident, abuse, alteration, animal attack, storm damage, misuse or improper care.

THERE ARE NO OTHER EXPRESS WARRANTIES BEYOND THE TERMS OF THIS LIMITED WARRANTY. IN NO EVENT SHALL JOHNSON OUTDOORS GEAR LLC BE LIABLE FOR INCIDENTAL OR CONSEQUENTIAL DAMAGES.

Some states do not allow the exclusion or limitation of incidental or consequential damages, so the above limitation or exclusion may not apply to you.

What Johnson Outdoors Gear LLC Will Do: If after inspection we find that a product failed due to a manufacturing or material defect, we will repair or replace the product, at our option, without charge.

How to Obtain Warranty Service: Return the product, freight prepaid, to the Dealer from whom it was purchased; or, contact our Customer Satisfaction Department for return authorization: toll free 1-800-572-8822. Collect shipments or shipments without return authorization cannot be accepted. The product registration card packaged with our product need not be returned for the warranty to be effective and for you to receive warranty service.

Repairs: If your Johnson Outdoors Gear LLC product needs service or repair due to normal wear and tear, animal attack, accident or some other reason that is not covered under the warranty we will provide the necessary service for a reasonable charge, plus shipping and handling. We require that products accepted for any repair be properly cleaned according to our recommended care instructions. Please send your product or component that requires repair (e.g., tent fly), postage prepaid, along with a description of what needs attention. For service and repairs, please contact our Customer Satisfaction Department: toll free 1-800-572-8822

How State Law Relates To This Warranty: This warranty gives you specific legal rights, and you may have other rights that vary from state to state.

JOHNSON
OUTDOORS

Johnson Outdoors Gear LLC

We support the "Leave No Trace" Seven Principles

1. PLAN AHEAD AND PREPARE
2. TRAVEL & CAMP ON DURABLE SURFACES
3. DISPOSE OF WASTE PROPERLY
4. LEAVE WHAT YOU FIND
5. MINIMIZE CAMPFIRE IMPACTS
6. RESPECT WILDLIFE
7. BE COURTEOUS OF OTHER VISITORS

